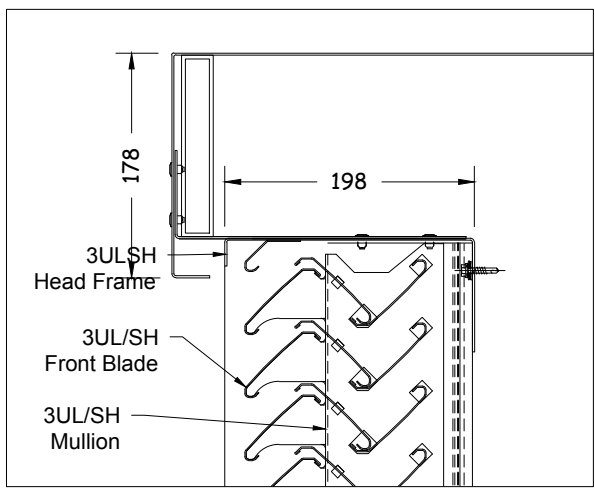
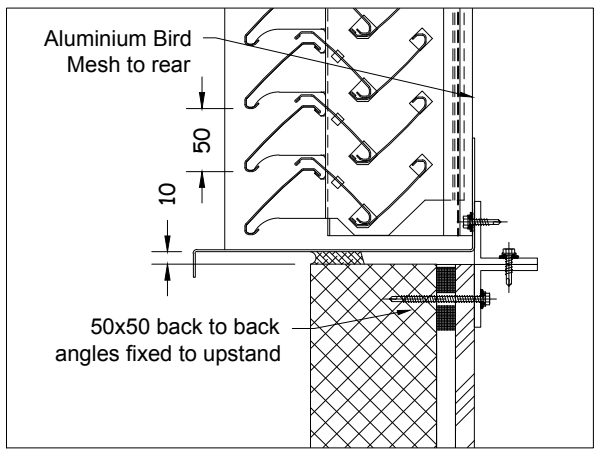


All rights reserved. No part of this document may be reproduced, stored in a retrieval system or transmitted in any form or by any means, electronic, mechanical, copying, recording or otherwise without prior written permission of ALPS LTD.

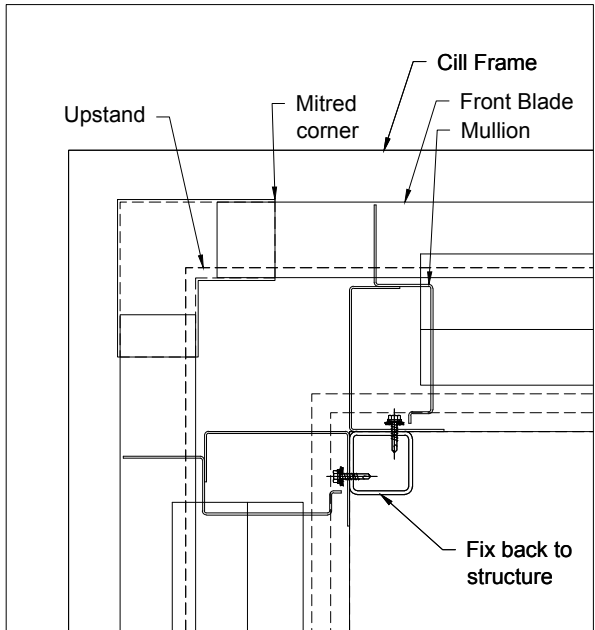
DATE	REV	REVISION DESCRIPTION



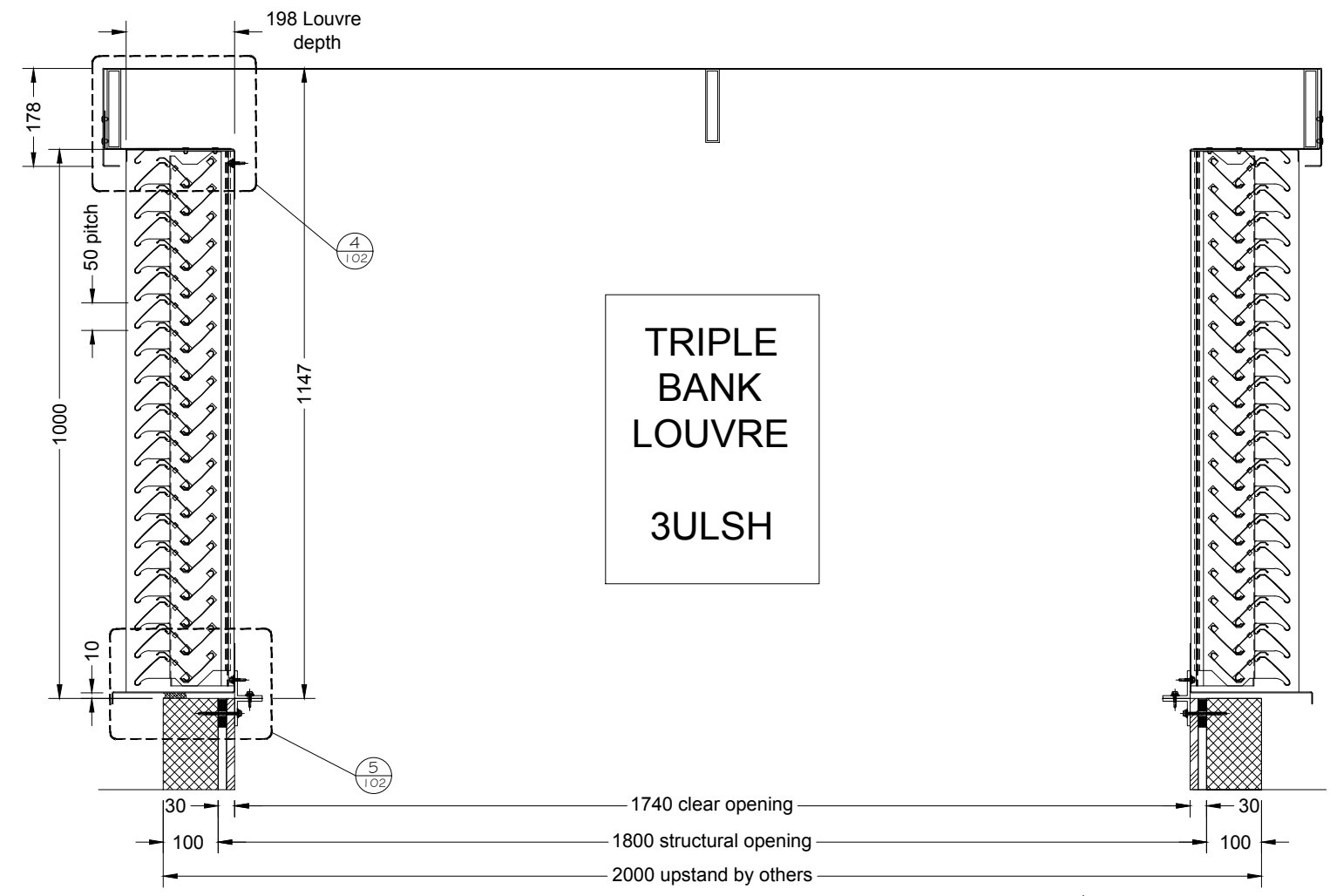
4 Detail
Scale: 1:3 (A1)



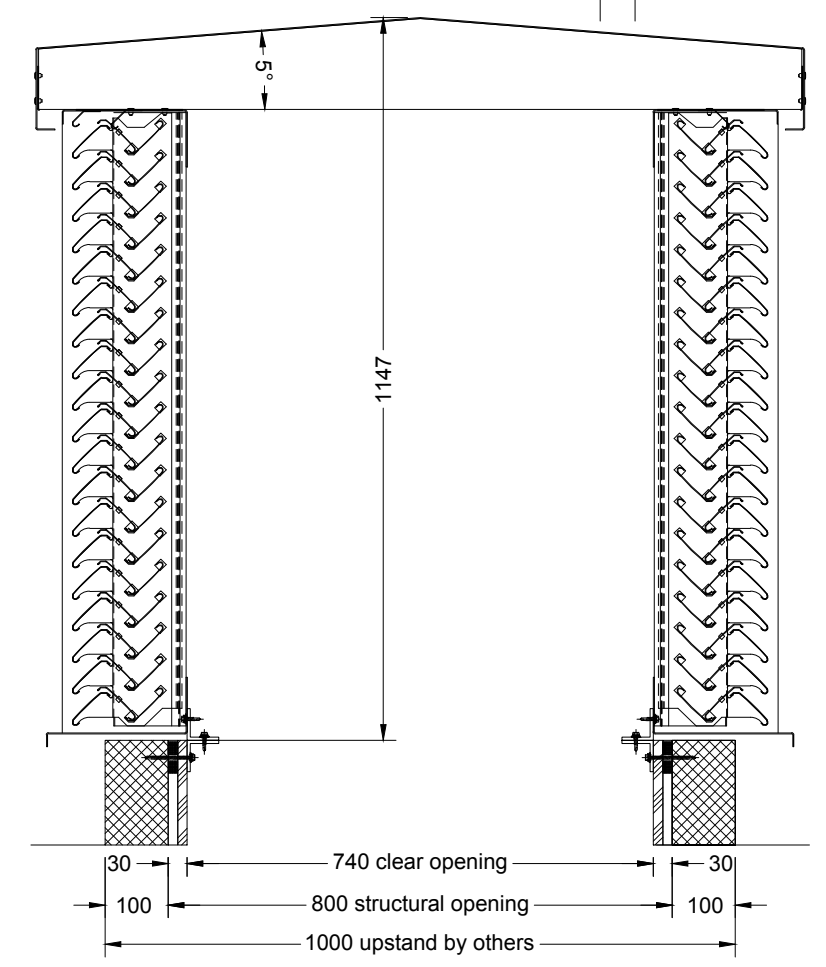
5 Detail
Scale: 1:3 (A1)



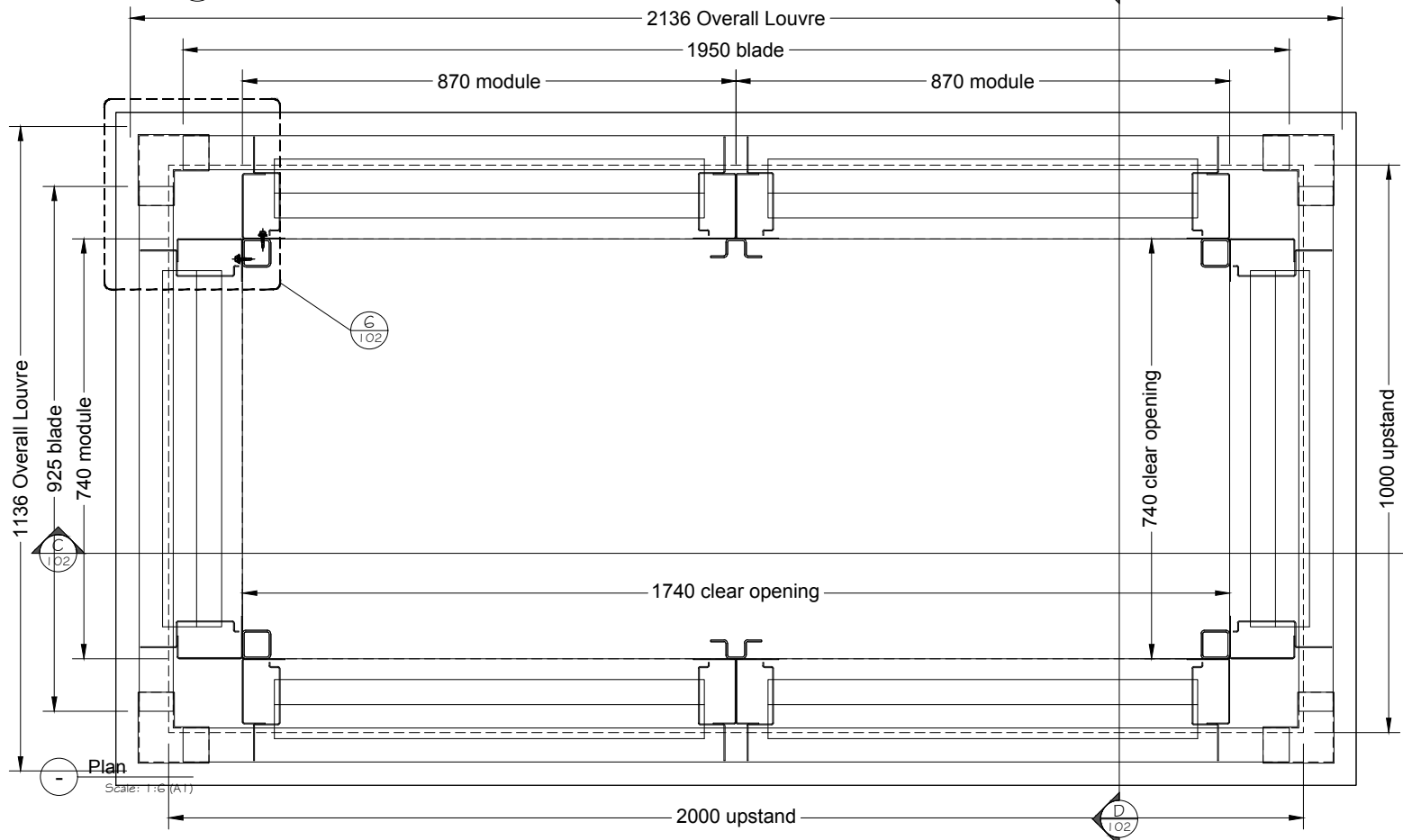
6 Detail
Scale: 1:3 (A1)



Section CC
Scale: 1:6 (A1)



Section DD
Scale: 1:6 (A1)

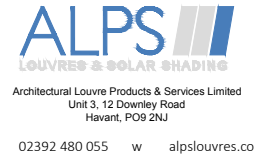


Plan
Scale: 1:6 (A1)

TRIPLE
BANK
LOUVRE
3ULSH

NOTES

- Louvres and mullions to be manufactured in aluminium to EN458, EN515, EN573.
- Stoved polyester powder paint, colour RAL (TBC) at 30% gloss.
- PARTIAL coverage - Blades, Side frames and Cills to be PPC finished.
- All Louvre Parts to be supplied in piece format for installation on site.
- Design, supply and erection of Steelwork by OTHERS unless noted otherwise.
- Bright Zinc Plated Nut Sets & self tapping screws or similar approved fixings by ALPS.
- Barrier/isolation tape to be used between all dissimilar metals.
- Dimensions are deemed correct for manufacture unless client advises otherwise.
- All building apertures are to be +/- 5mm of agreed dimensions for fitting equipment.
- This scheme is based on a wind loading of 1.2kN/sqm.



t 02392 480 055 w alpslouvres.co.uk

CUSTOMER	
PROJECT	
ALPS REF	
TITLE	3ULSH Turret to plant room
DRAWN	IT
DATE	23-10-15
CHECKED	
SCALE	NTS
STATUS	<input checked="" type="checkbox"/> Approval <input type="checkbox"/> Construction <input type="checkbox"/> As Built
DRAWING No	102
ISSUE	A1