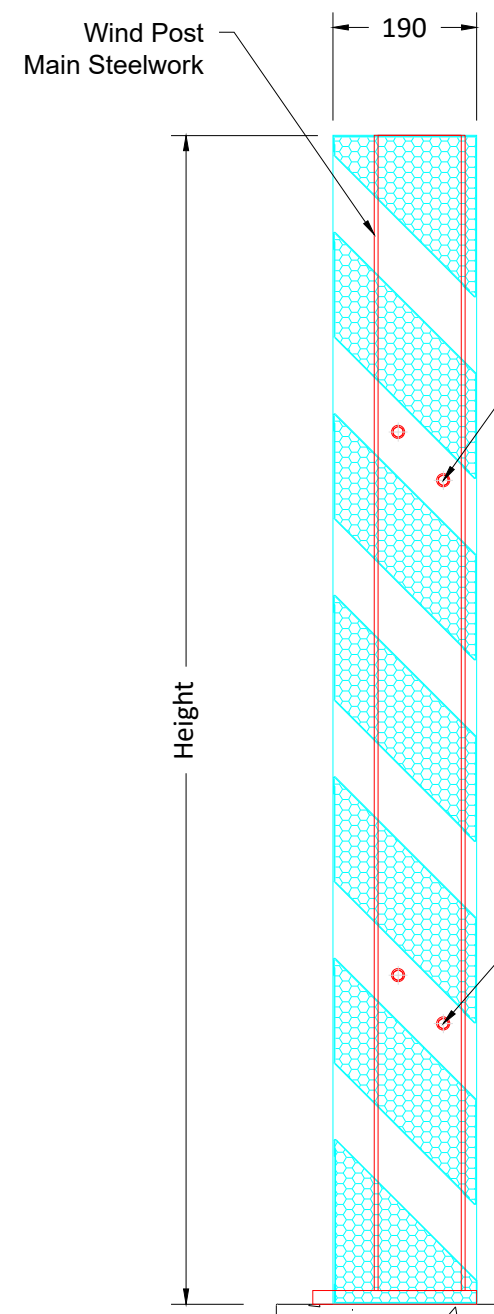


1 2 3 4 5 6 7 8 9 10 11

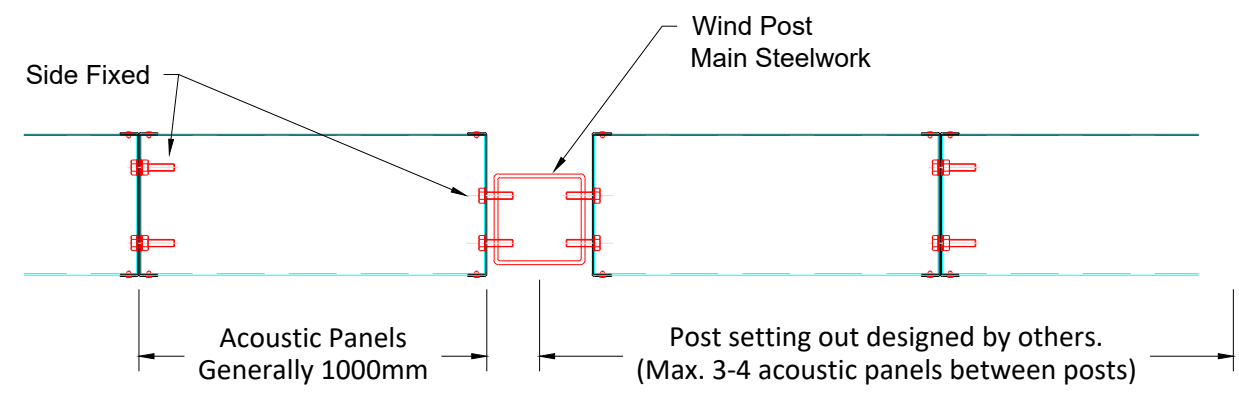
12 ALL DIMENSIONS IN mm

(C) Copyright Architectural Louvre Products And Services Limited 2017
 All rights reserved. No part of this document may be reproduced, stored in a retrieval system or transmitted in any form or by any means, electronic, mechanical, copying, recording or otherwise without prior written permission of ALPS LTD.

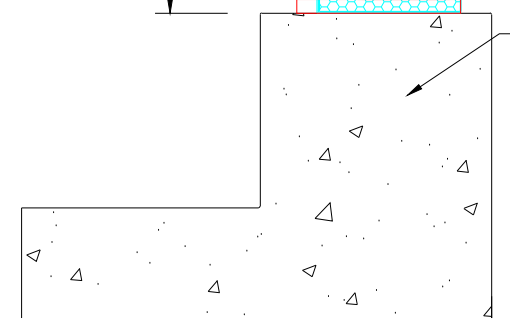
DATE	ISS	DRN	DESCRIPTION



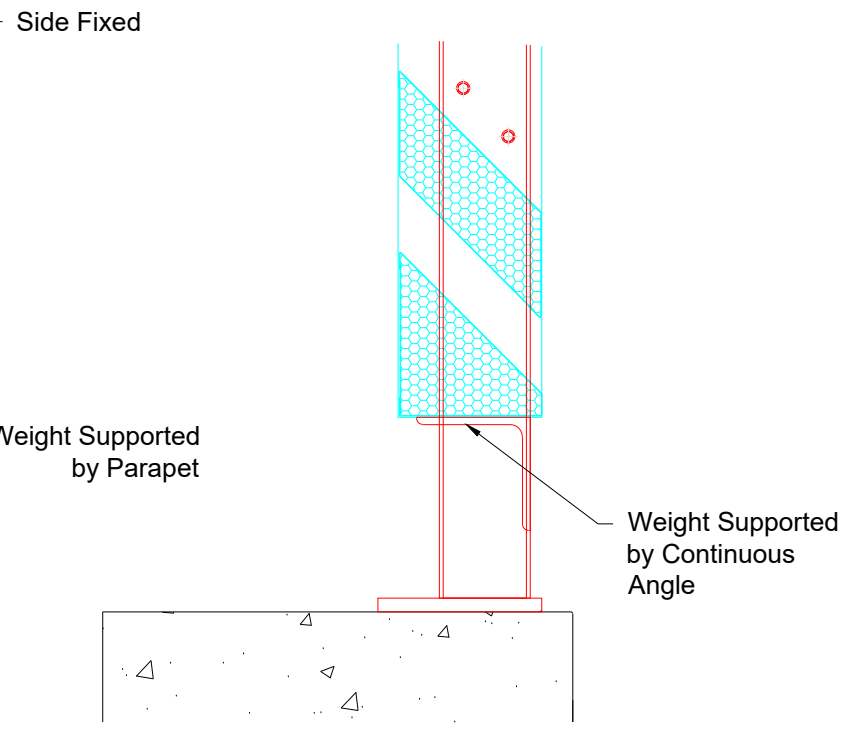
Panels Bolted together and to Vertical Posts (3 - 4 Panels)



Plan View



Section



Alternative base detail

Acoustic Louvre - As a screen (Non-Continuous)

A3



Architectural Louvre Products & Services Limited
 Unit 3, 12 Downley Road
 Havant, PO9 2NJ
 t 02392 480 055 w alpslouvres.co.uk

CUSTOMER

PROJECT

ALPS REF

TITLE **ALPS AC190**
 Acoustic Louvre
 between steels

DRAWN DATE CHECKED

SCALE
 STATUS Approval Construction As Built

DRAWING No ISSUE