

1 2 3 4 5 6 7 8 9 10 11

12 ALL DIMENSIONS IN mm

A

B

C

D

E

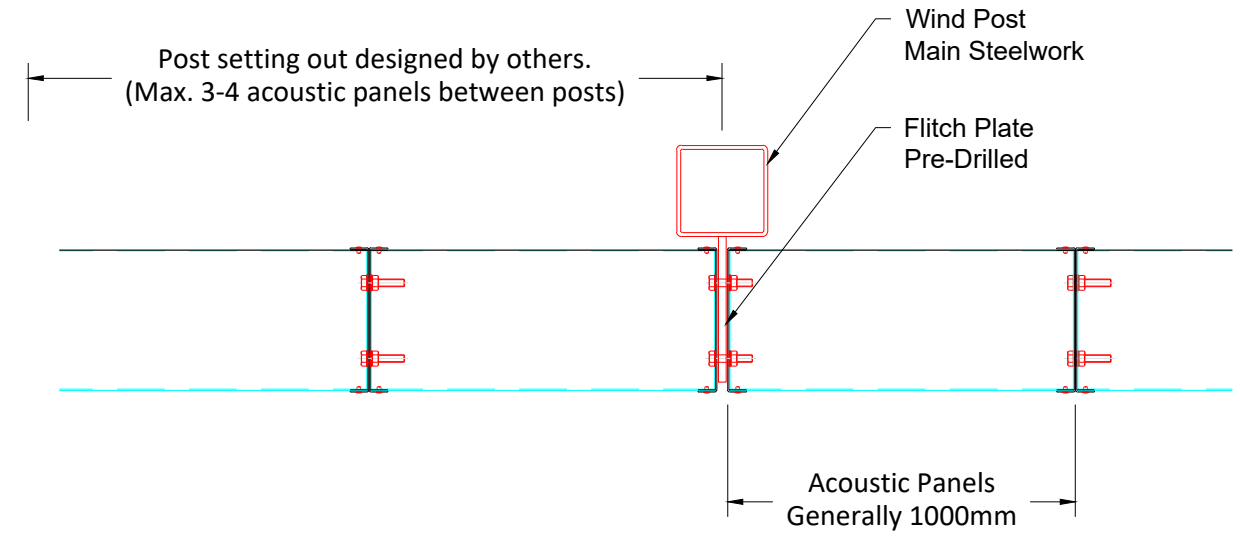
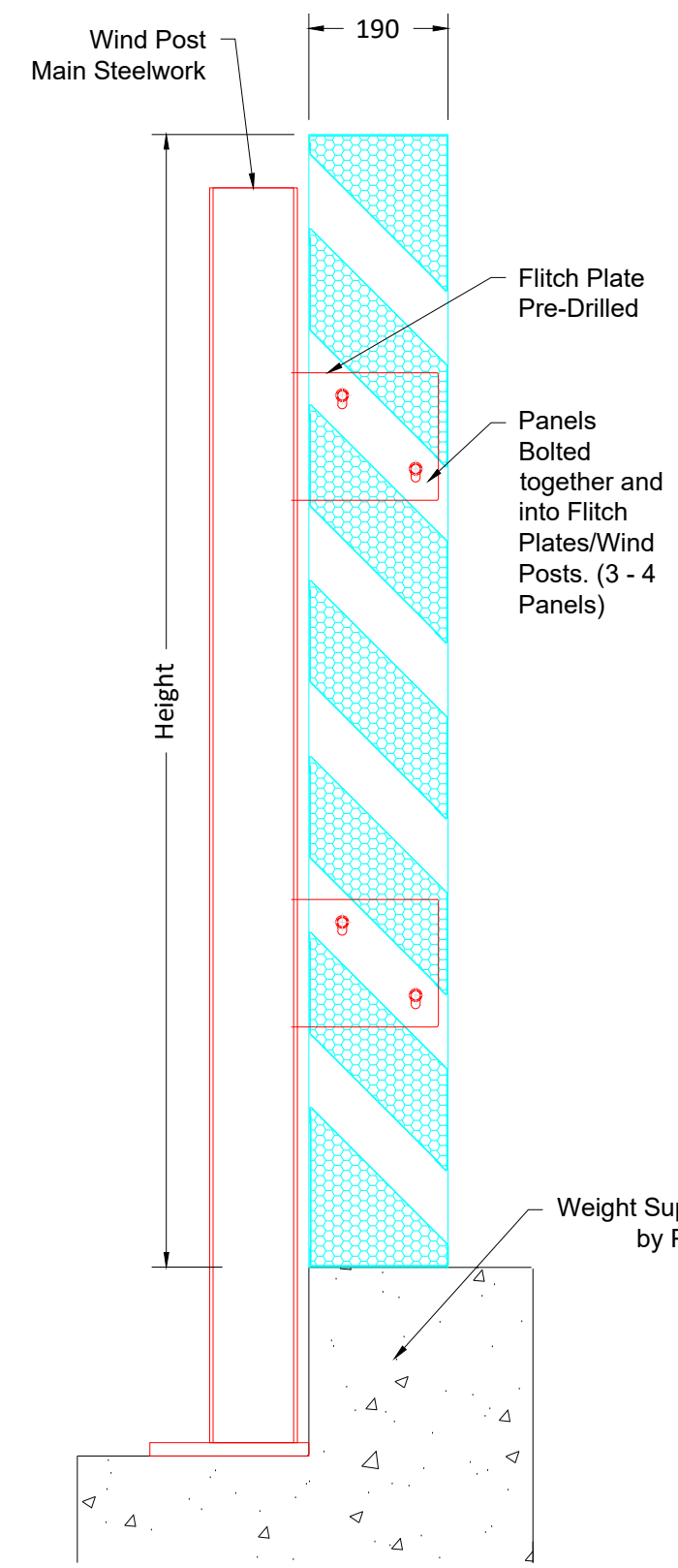
F

G

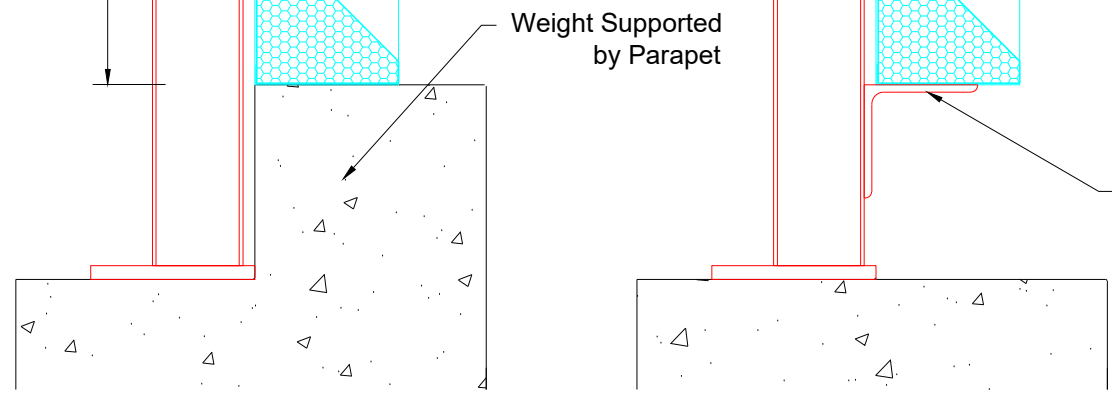
H

(C) Copyright Architectural Louvre Products And Services Limited 2017  
 All rights reserved. No part of this document may be reproduced, stored in a retrieval system or transmitted in any form or by any means, electronic, mechanical, copying, recording or otherwise without prior written permission of ALPS LTD.

DATE	ISS	DRN	DESCRIPTION



Plan View



Section

Alternative base detail

Acoustic Louvre - As a screen (Continuous)

A3



Architectural Louvre Products & Services Limited  
 Unit 3, 12 Downley Road  
 Havant, PO9 2NJ

t 02392 480 055 w alpslouvres.co.uk

CUSTOMER

PROJECT

ALPS REF

TITLE ALPS AC190  
 Acoustic Louvre  
 Onto steelwork  
 As a screen

DRAWN DATE	CHECKED
------------	---------

SCALE

STATUS  Approval  Construction  As Built

DRAWING No	ISSUE
------------	-------